

VersaPUR™ Tank Melter

Highly-versatile adhesive melters efficiently process moisture curing polyurethane (PUR) hot melts with easy clean-up and maintenance.



Based on years of worldwide experience, Nordson specifically designed the VersaPUR tank melters to best meet the unique requirements to process PUR adhesives.

The easy-to-clean concept means all components in contact with PUR, such as tank, grid and even the pump blocks, can be quickly, and to a large extent without tools, dismantled for cleaning. Additionally, VersaPUR melters have pump shutoff valves and quick-disconnect heater and sensor cables.

Many new standard, programmable features simplify daily operation and maintenance to meet increased productivity requirements. VersaPUR tank melters are configurable, offering flexibility for specific production and application requirements.

Features and Benefits

- Graphical touch-screen control provides visibility and monitoring of system status.
- Smooth, non-stick release coated surfaces and tiltable tank provide easy access and ease of clean-up and maintenance.
- Industrial PC (IPC) provides intuitive melter control of all relevant functions – pump speed, temperatures, etc. – for reproducible adhesive bonding quality.
- Optional measuring sensor provides “tank low” warning to operator to minimize machine downtime.
- Inert gas blanket produced from either integrated or external inert gas supply.
- Pivoting tank lid allows for easy refill.
- Exhaust hood allows for emission-free refilling of the tank.
- Dead spaces in hydraulic passages eliminated to avoid undesired curing.



VersaPUR™ Tank Melter

Technical Specifications

Type of System	Positive-displacement spur gear pump
Electrical Service ¹	200 VAC 3-phase 50/60 Hz 230 VAC 3-phase 50/60 Hz 400 VAC 3-phase Y 50/60 Hz 400 VAC 3-phase 50/60 Hz 480 VAC 3-phase 50/60 Hz
Tank Opening Diameter	291 mm (11.46 in.)
Temperature Sensor	Ni120
Ambient Temperature	10 to 40° C (50 to 104° F)
Operating Temperature	40 to 230° C (104 to 446° F)
Approx. Weight ²	280 kg (617 lbs)
Input/Output Capability Std.	6 inputs, 6 outputs
Degree of Protection	IP54

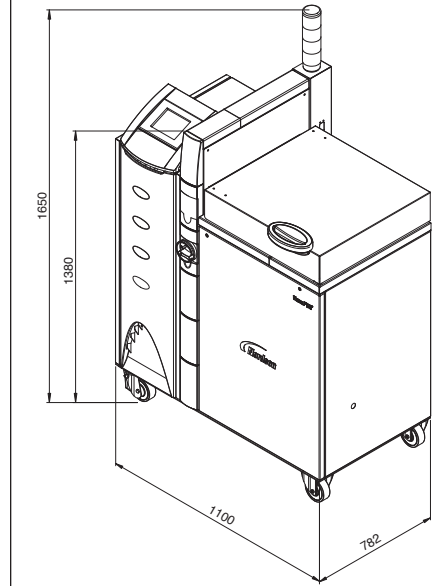
¹ Permitted deviation from rated line voltage is ±10%.

² Weight depends on melter configuration; melter empty.

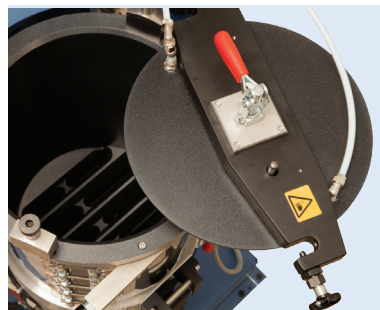
Options/Configurations

Pump Sizes	SN0030, SN0046, SN0062, SN0093, SN0186, SN0371, SN0773, SN1710
Number of Pumps	1 or 2
Hose/Gun Pairs	2, 4 or 6 hose/gun pair (4, 8 or 12 external channels)
Thermostats	150° C (300° F), 180° C (350° F), or 200° C (390° F)
Flow Control	Automatic Pressure Control Manual Pneum. Pressure Control Flow Control Bypass IPI w/Output Pressure Control per Drive Standard Manual Pressure Control Valve
Level Monitoring	yes
Light Tower	yes
Host Communication	Profibus-DP, ControlNet, Ethernet/IP, ProfiNet IO
Key-to-Line Per Pump	yes
Air Dryer	yes
Integrated Exhaust Duct	yes
One-way Clutch	yes

Dimensions
(maximum values, shown in mm)



Tilttable tank for easy cleaning and maintenance



Pivoting tank lid



For more information, speak with your Nordson representative or contact your Nordson regional office.

United States

Duluth, Georgia
(800) 683-2314 **Phone**
(866) 667-3329 **Fax**

Canada

Markham, Ontario
(800) 463-3200 **Phone**
(905) 475-8821 **Fax**

Europe

Erkrath, Germany
(49) 211-9205-0 **Phone**
(49) 211-254658 **Fax**

Japan

Tokyo, Japan
(81) 3-5762-2700 **Phone**
(81) 3-5762-2701 **Fax**

Asia/Australia/ Latin America

Amherst, Ohio
(440) 985-4797 **Phone**
(440) 985-1096 **Fax**

Find us on:



PAL-13-5828
Issued 11/13
© 2012, 2013 Nordson Corporation
All Rights Reserved.
Printed in U.S.A.
Nordson reserves the right to make design changes between printings.